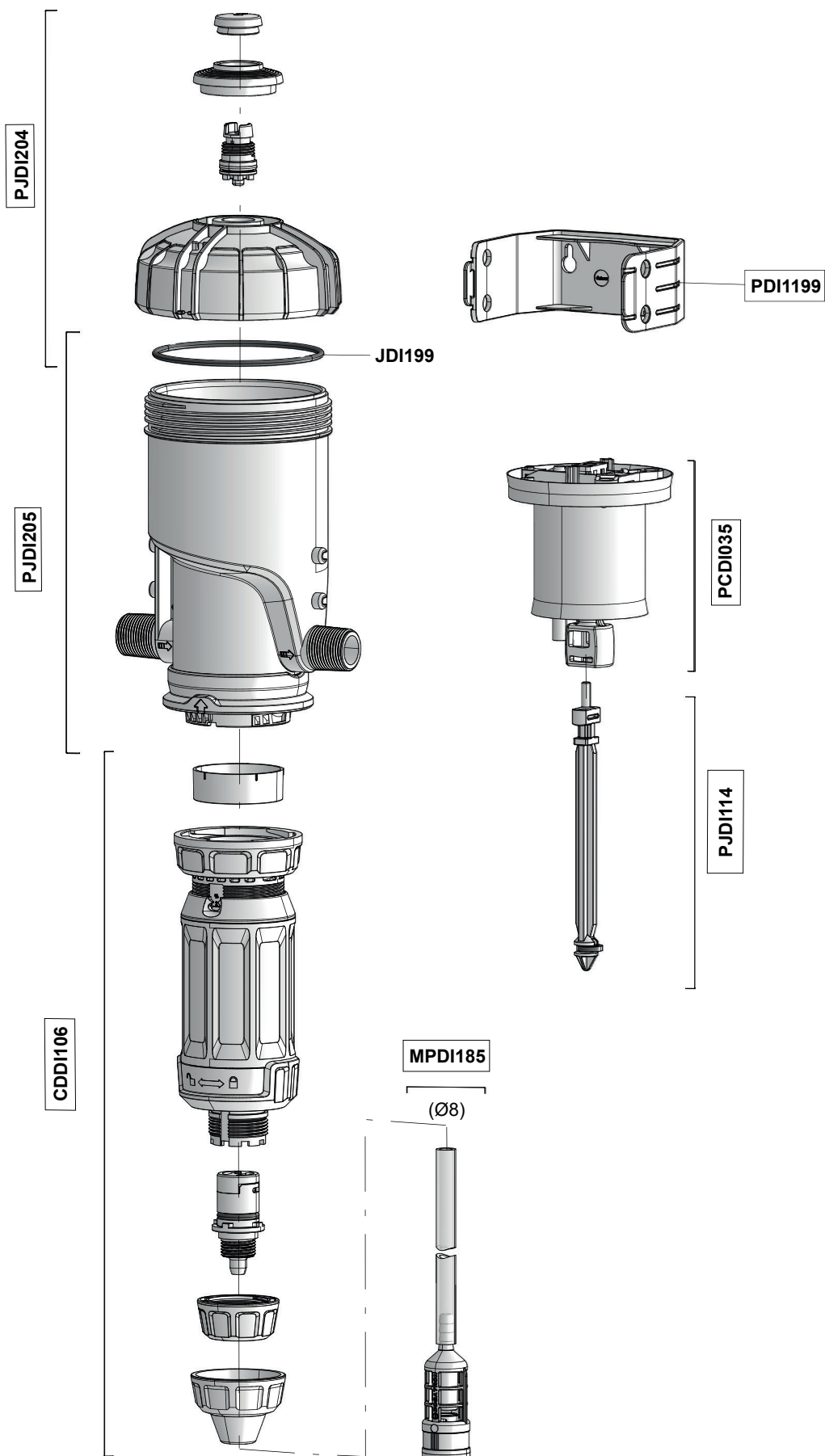


# D25 0.2 - 2% N

2.5m<sup>3</sup>/h - 0.2 - 2%  
11 GPM - 1:500 - 1:50  
0.3 - 6 bar  
4.3 - 87 psi



# D25 0.2 - 2% N

2.5m<sup>3</sup>/h - 0.2 - 2%  
11 GPM - 1:500 - 1:50  
0.3 - 6 bar  
4.3 - 87 psi

