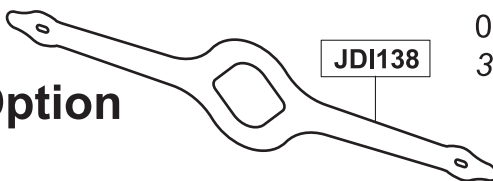


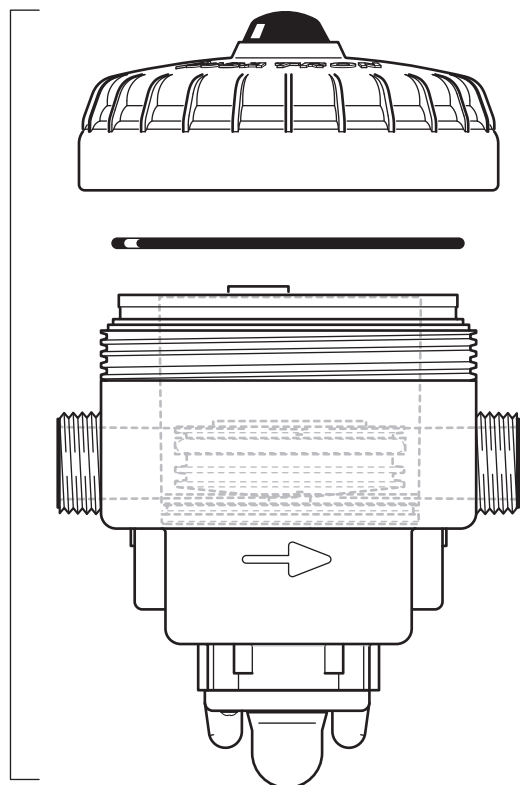
D07RE125

Option

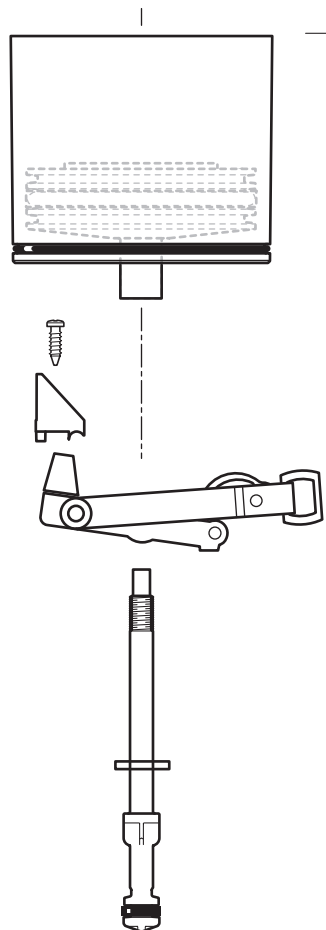
0.7 m³/h - 0.15 - 1.25%
 3 GPM - 1:666 - 1:80
 0.3 - 6 bar
 4.3 - 85 psi



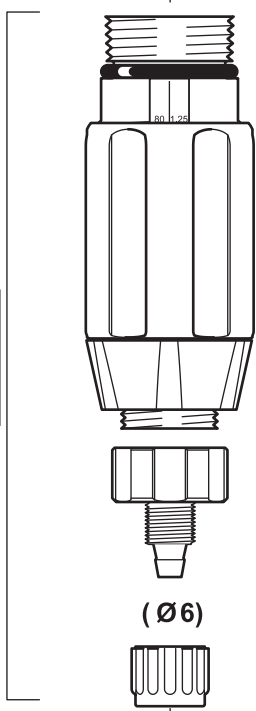
MPDI197



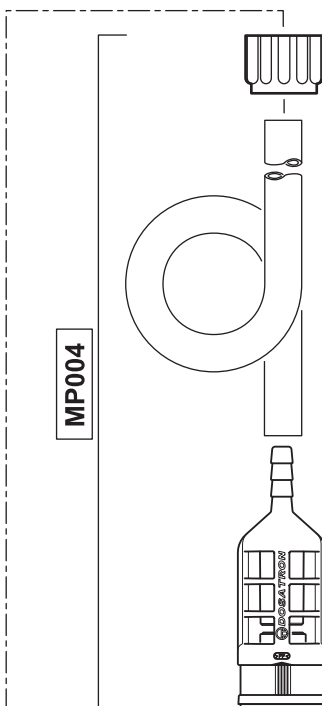
PCDI028



CDDI067



MP004



PDI525

